



CAPPROFILES

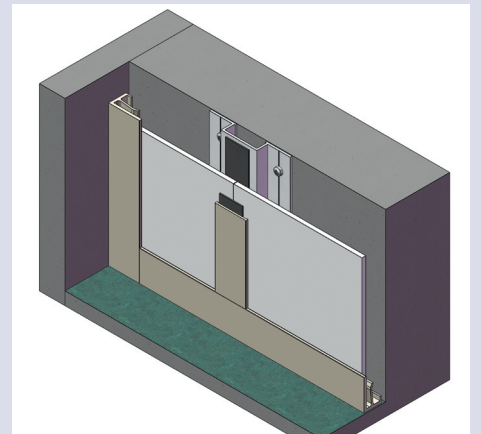
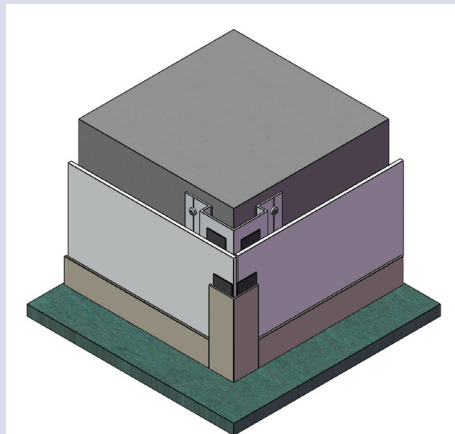
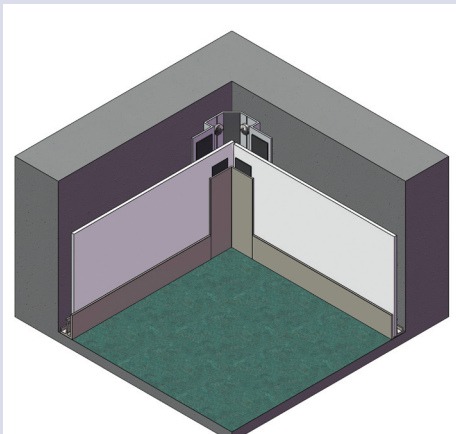
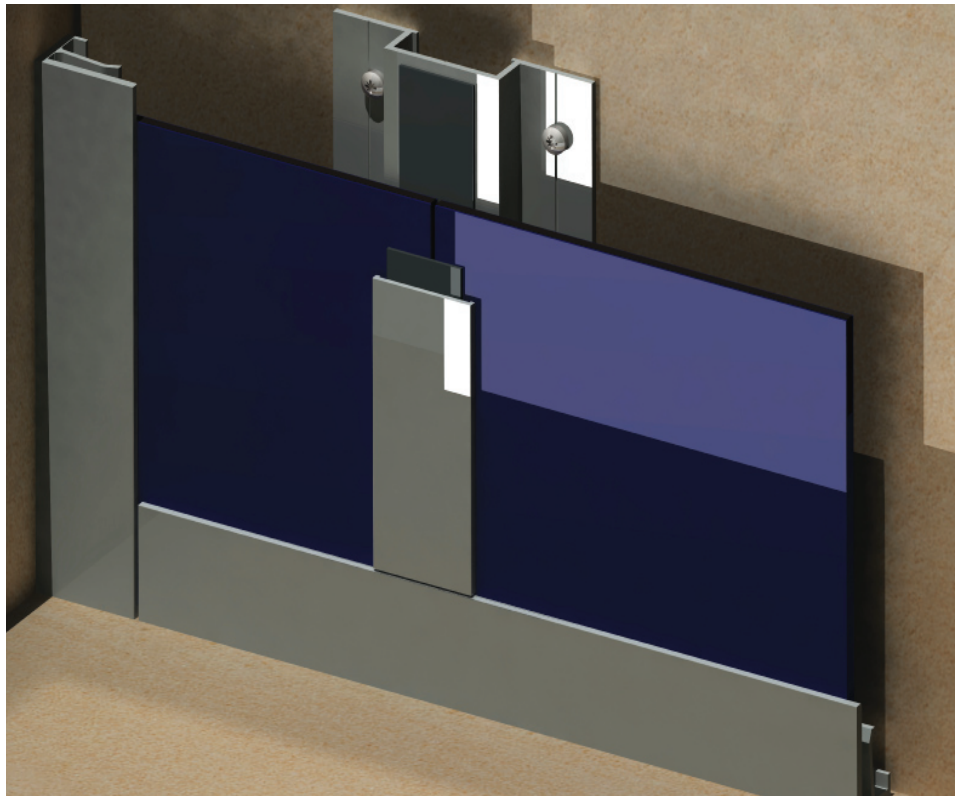
Product Information

Introduction

Multipanel UK's Cap Profile fixing system has been designed for easy installation of ALUWALL, ALUPANEL and some of our other materials.

The Cap Profile system consists of subframe profiles that are designed to be fixed to the surface wall for cladding. The ALUPANEL is then secured to the subframe and the cap profiles used to create a seamless finish in the cladding.

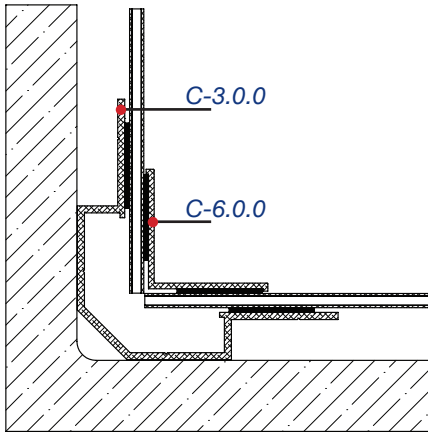
Our system can be used on both flat walling, and some slightly uneven surfaces due to the strength and straightness the subframe profiles offer.





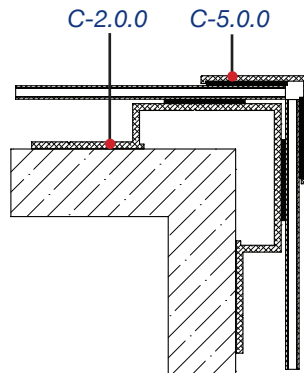
CAPPROFILES

Internal Corner



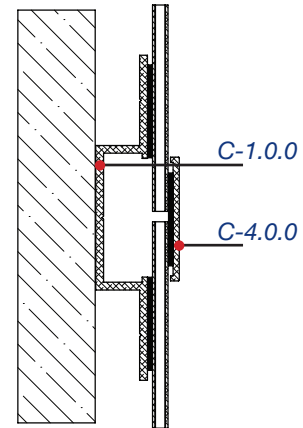
Internal Corner profiles featuring **C-3.0.0** subframe profile and **C-6.0.0** Cap profile.

External Corner



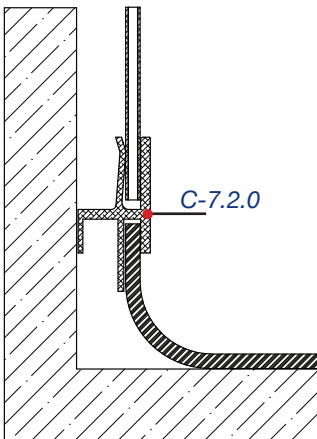
External Corner profiles featuring **C-2.0.0** subframe profile and **C-5.0.0** Cap profile.

Intermediate Join



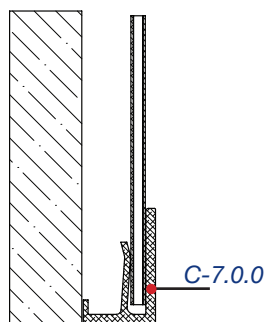
Intermediate Join profiles featuring **C-1.0.0** subframe profile and **C-4.0.0** Cap profile.

Flooring Profile



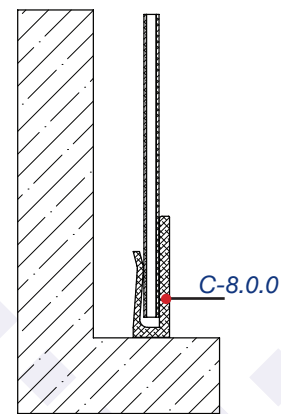
Flooring profile **C-7.2.0** enabling flooring to be tucked into the profile for a hygienic finish.

Edge Cap



Edge Cap profile featuring **C-7.0.0** cap profile for edges requiring support.

Edge Cap



Edge Cap profile featuring **C-8.0.0** cap profile for edges which require no support.

CALL +44 (0) 1392 823015

FOR MORE INFORMATION OR TO CONTACT YOUR LOCAL SALES MANAGER / DISTRIBUTOR

www.multipaneluk.co.uk